

InRouter 700 Series

Industrial Ethernet LAN/Serial to UMTS/HSUPA/GPRS Router



Standard Model Four Ethernet Port Model



- **INDUSTRIAL** design:
 - DIN-Rail Mount
 - Wide Operating Temperature: -25~+70°C(-13~158°F)
 - Power Input: 12~48V DC, Industrial Terminal Block
 - Immunity to EMI
- **COMPACT DESIGN**, easy to install
- **VPN**: IPSec/PPTP/L2TP/GRE/SSL VPN
- **Eth. port (1 or 4 optional), Serial Interface (RS232 or RS485 optional)**
- **SUPPORT INDUSTRIAL BUS PROTOCOLS**:
MODBUS TCP, Transparent TCP, Virtual COM
- **CENTRALIZED MANAGEMENT PLATFORM**: InHand Device Networks Cloud

Overview

InRouter700 Series are rugged industrial cellular routers which are designed to transmit serial/Ethernet data to customers' data center through UMTS/GSM mobile networks. The routers are light-weighted and compact-designed products combined with rich features. Meanwhile, based on professional industrial chip design, InRouter 700 series are capable to work robustly in harsh outdoor circumstances.

InRouter 700 series also support several VPN technologies to ensure security, including standard IPSec/PPTP/L2TP/GRE/SSL VPN. Besides, the routers provide convenient remote management via CLI and web page, which significantly reduce maintenance cost. Moreover, with customization services, InRouter 700series can benefit customers by high scalability, on demand service and efficient networking solutions for unattended field applications.

With high performance for years, InRouter 700 series get highly recognized by high-end customers including GE Healthcare, Siemens Traffic, Schneider Electric, Rockwell Automation, SKF, Vestas, China State Grid, etc.

Specification

Cellular WAN Interface

Universal UMTS/HSDPA 850/900/1800/1900/2100 MHz

GSM/GPRS: 850/900/1800/1900 MHz

CDMA/EVDO 450MHz

Authentication Method: CHAP/PAP

SIM Card: 3V, flip SIM card, Anti-dismantlement

LAN Interface

1/4 RJ45 Ports Optional

Auto Adaption: 10M/100M Ethernet auto-adaptive

MDI/MDI-X auto crossover

Isolation Protection: 1.5KV isolation protection

Serial Port (RS232/485 optional)

1200-115200 bit/s Parity, 1.5kV ESD Protection

Protocols: MODBUS TCP | Transparent TCP | Virtual COM

Environmental

Temperature: Operation: -25~70°C(-13~158°F)

Storage: -40~85°C(-40~185°F)

Humidity: 5% ~ 95%, non-condensing

Protection Level: IP30

Power Input: 12 to 48V DC, Industrial Terminal Block

EMI Immunity

ESD: EN61000-4-2, level 4

Surge Protection: EN61000-4-5, level 3

EFT: EN61000-4-4, Level 4

RF: EN61000-4-3, level 3

RC: EN61000-4-6, level 3

Oscillatory Wave Immunity: EN61000-4-12, level 3

Variation Magnetic Field Immunity: EN61000-4-8, level 5

Safety Certificate

Anti-shock/Drop/Vibration:

IEC60068-2-27/IEC60068-2-32/IEC60068-2-6

Electric Strength: DC500V imposed on communication lines to ground and on power lines to ground, resistance >15MΩ

Network Operation Stable Service

Built-in hardware watchdog, self-recovery

PPP link detection disaster self-recovery

VPN connections disaster self-recovery

Professional upgrades mechanism, assure upgrade safety

Configuration

DB9 Console port, SSH, Telnet, and Web configuration

Upgrade

Remote upgrade and web upgrade, utilizing redundant backup mechanism for worry-free upgrade

Network Function

Network Address Translation (NAT) and Port Address Translation (PAT)

Deny illegitimate host access

Firewall

State Packet Inspection (SPI), multicast filtering, PING packet filtering, DoS attack preventing

Network Protocols

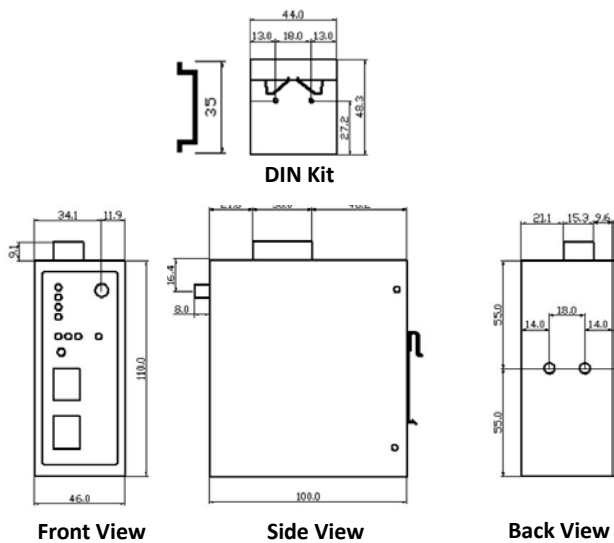
ICMP, IP, TCP, UDP, DHCP, PPP, ARP, Telnet, DNS, SSH, VRRP, HTTP, HTTPS, VPN (IPSec/PPTP/L2TP/GRE/SSL VPN)

Warranty

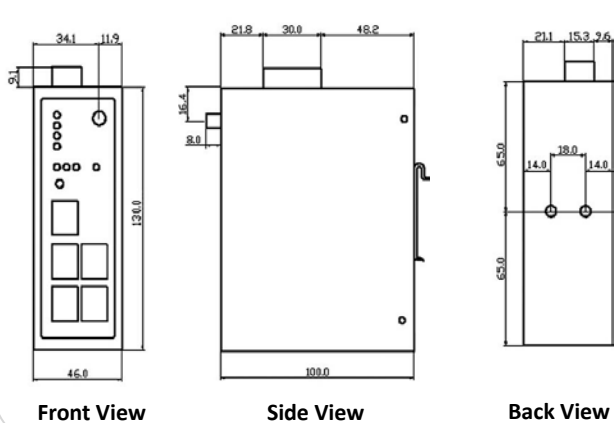
Warranty Period: 3 years

Dimensions (Unit: mm)

Standard Model (L×W×H=100×46×110)

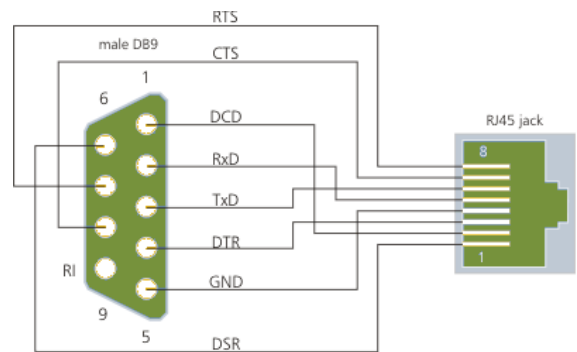


Four Ethernet Port Model (L×W×H=100×46×130)



Interfaces

DB9 ←→ RJ45 (for Console port)



Terminal Block Interface

V+	12-48V DC	positive
V-		negative
NC	None connect	
TXD/485-	RS232 TX or RS485-	
RXD/485+	RS232 RX or RS485+	
GND	Digital ground	

Order Information

Optional Functions

Network: UMTS/HSUPA | GPRS | EVDO 450MHz

Ethernet Port No.: 1 | 4 optional

(4 ports model also support cable WAN access)

Serial Interfaces: RS232 | 485 optional

VPN: no VPN | Standard VPN (IPSec/PPTP/L2TP/GRE) | Advanced VPN (IPSec/PPTP/L2TP/GRE/SSL VPN)